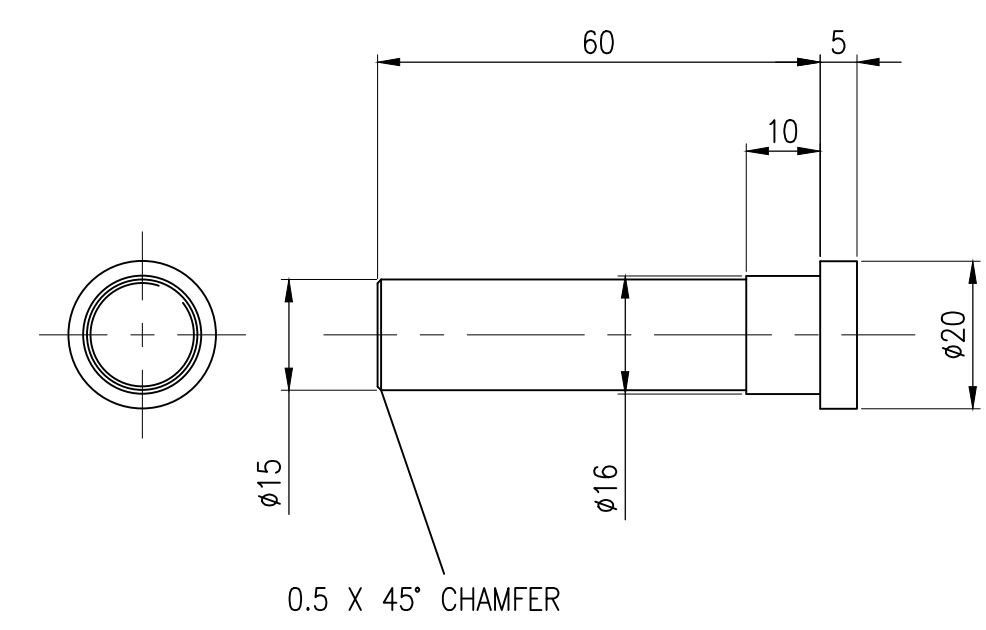
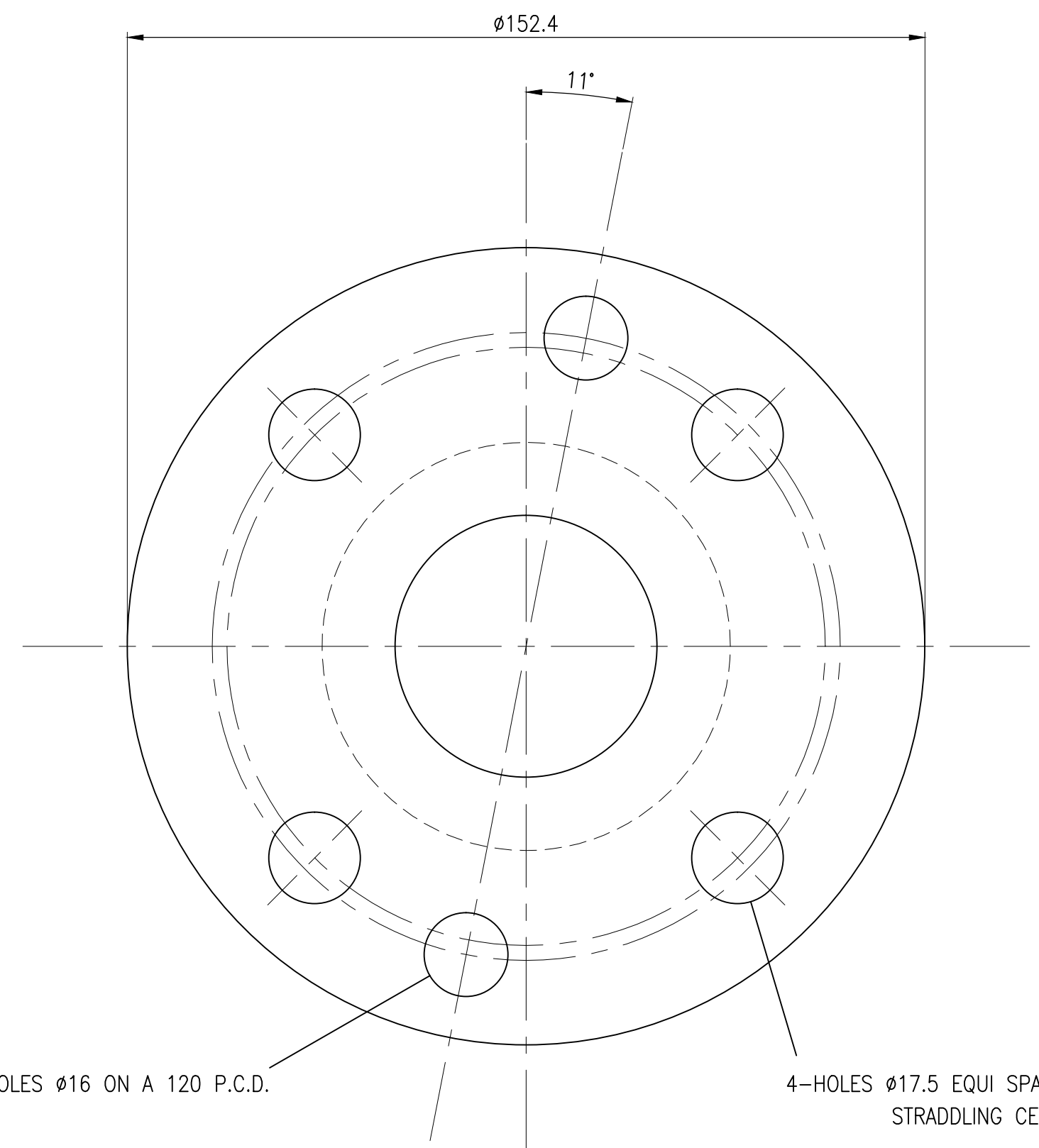
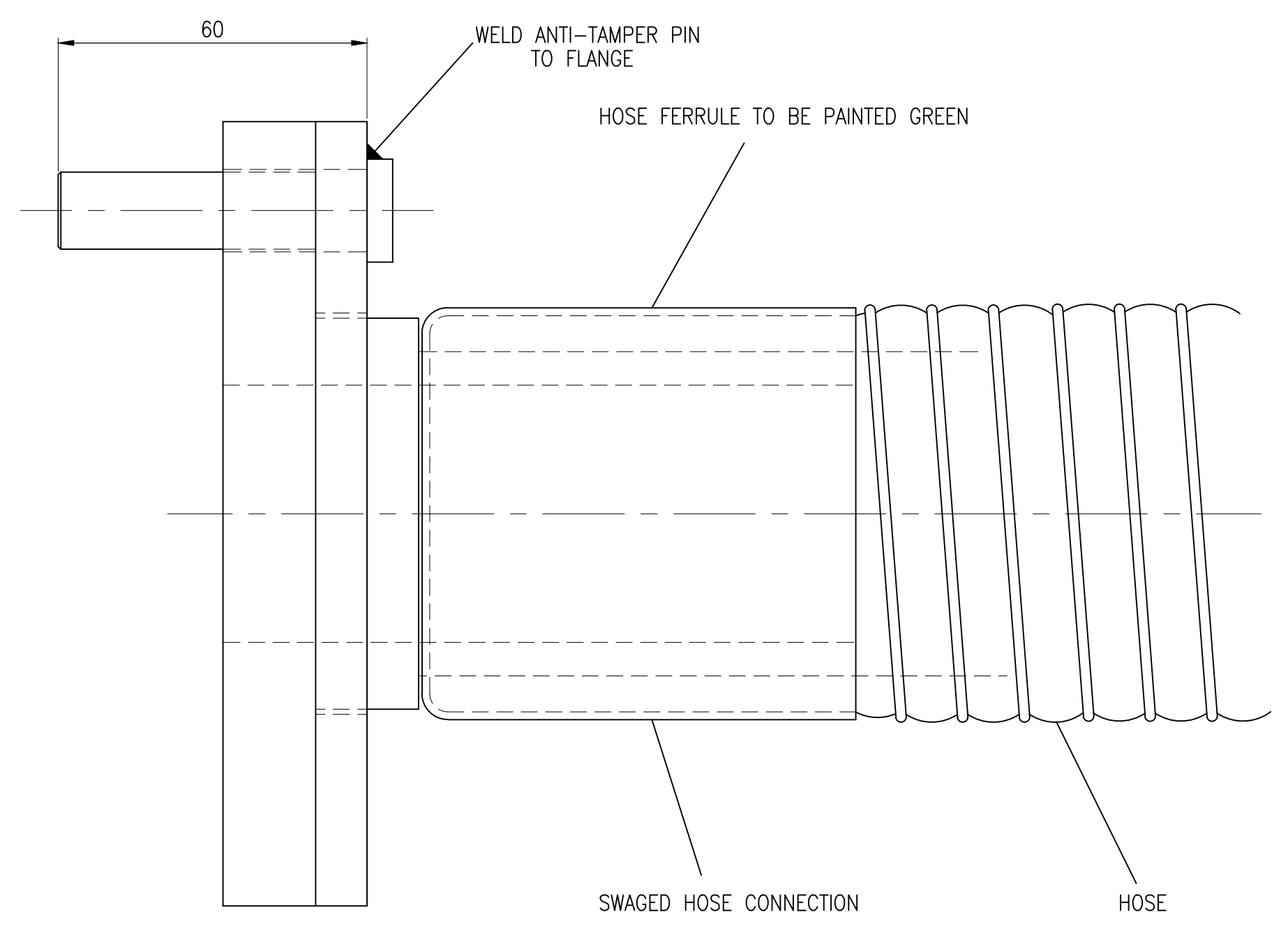
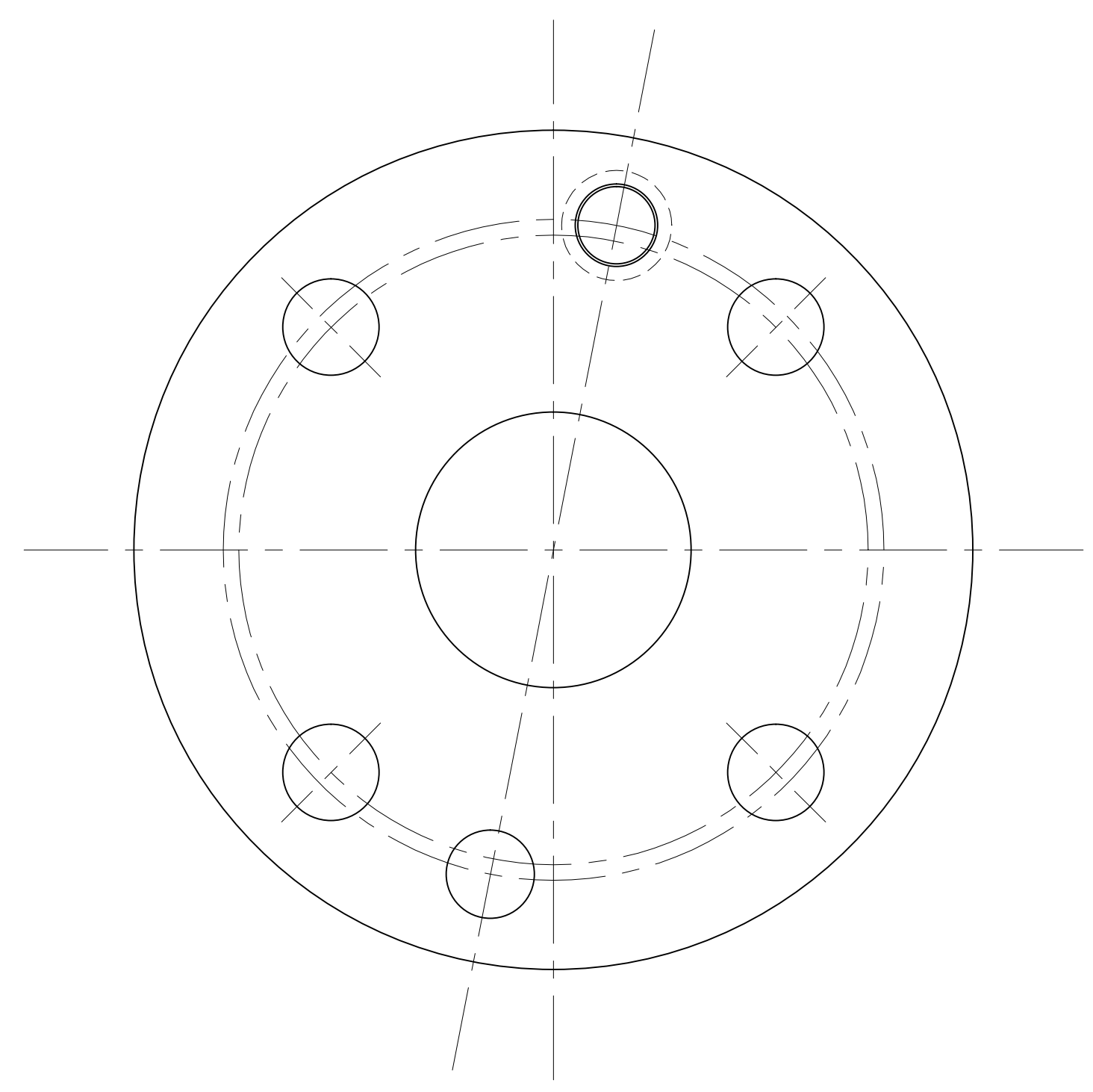


HOSE END CONNECTION



ANTI-TAMPER PIN



2" NB. BS 10 TABLE 'D' FLANGED HOSE END SHOWING ADDITIONAL HOLES FOR ANTI-TAMPER PINS

ISSUE	EC NUMBER	REVISIONS	DRAWN	DATE	CHECK	DATE	PROJ	DATE	MECH	DATE	ELECT	DATE	CIVIL	DATE	ISSUE	EC NUMBER	REVISIONS	DRAWN	DATE	CHECK	DATE	PROJ	DATE	MECH	DATE	ELECT	DATE	CIVIL	DATE	
C		2" NB. BS.10 TABLE 'D' WAS 2" NB. BS4504 TABLE 'D'	DRL	13.02.17																										
B		DRAWING ORIENTATION CHANGED	DRL	07.11.16																										
A		FIRST ISSUE	DRL	29.01.16																										

THIS DRAWING IS THE PROPERTY OF THE INDUSTRIAL CHEMICALS GROUP LIMITED AND ITS SUBSIDIARY COMPANIES AND MUST NOT BE USED FOR ANY PURPOSE DETRIMENTAL TO THE INTERESTS OF INDUSTRIAL CHEMICALS GROUP LIMITED OR ITS SUBSIDIARY COMPANIES. ITS CONTENTS ARE NOT TO BE DISCLOSED TO ANY THIRD PARTY EITHER WHOLLY OR IN PART WITHOUT THE CONSENT OF INDUSTRIAL CHEMICALS GROUP LIMITED OR ITS SUBSIDIARY COMPANIES.

SCALE	1:1	INDUSTRIAL CHEMICAL GROUP LTD
DIMS	MM	
TITLE	2" NB. BS10. TABLE 'D'. ANTI TAMPER SWAGED HOSE CONNECTION.	
FILE LOCATION:	T:\Drawings\	JOB NO.
ISSUE	C	A1