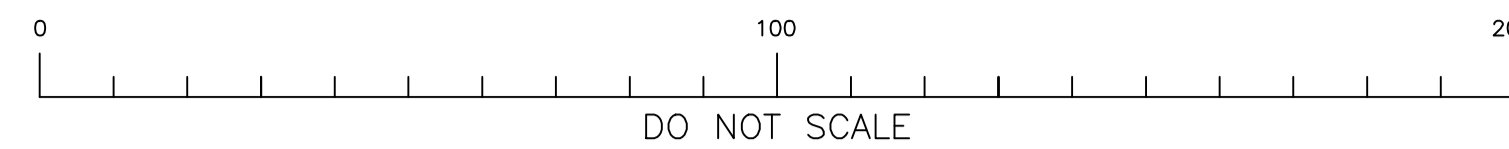


DRAWING NO. DRAWING NUMBER
I.C.G.L. CONFIDENTIAL

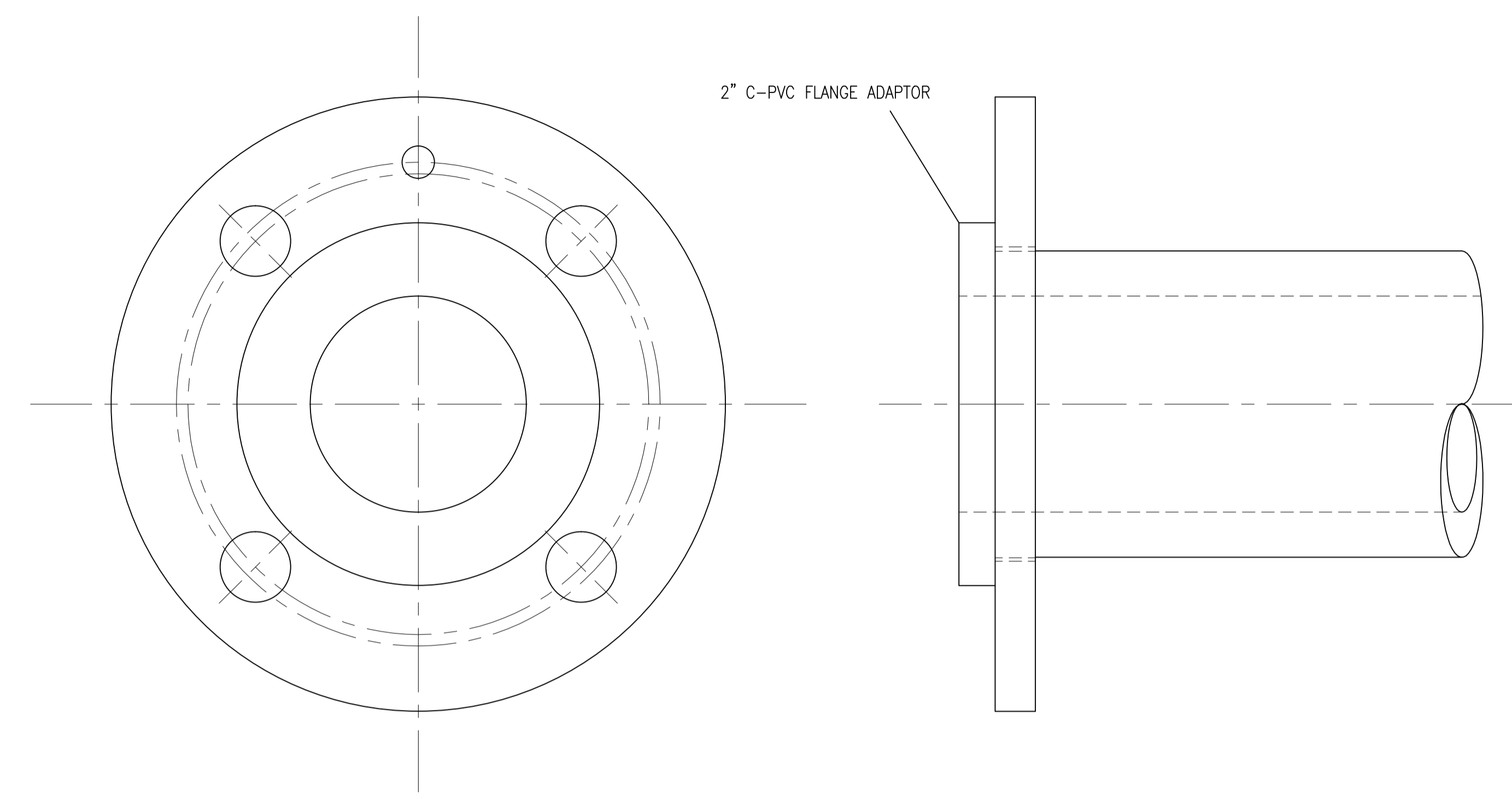
IMPORTANT...THIS DRAWING HAS BEEN PRODUCED ON CAD AND MUST NOT BE ALTERED MANUALLY



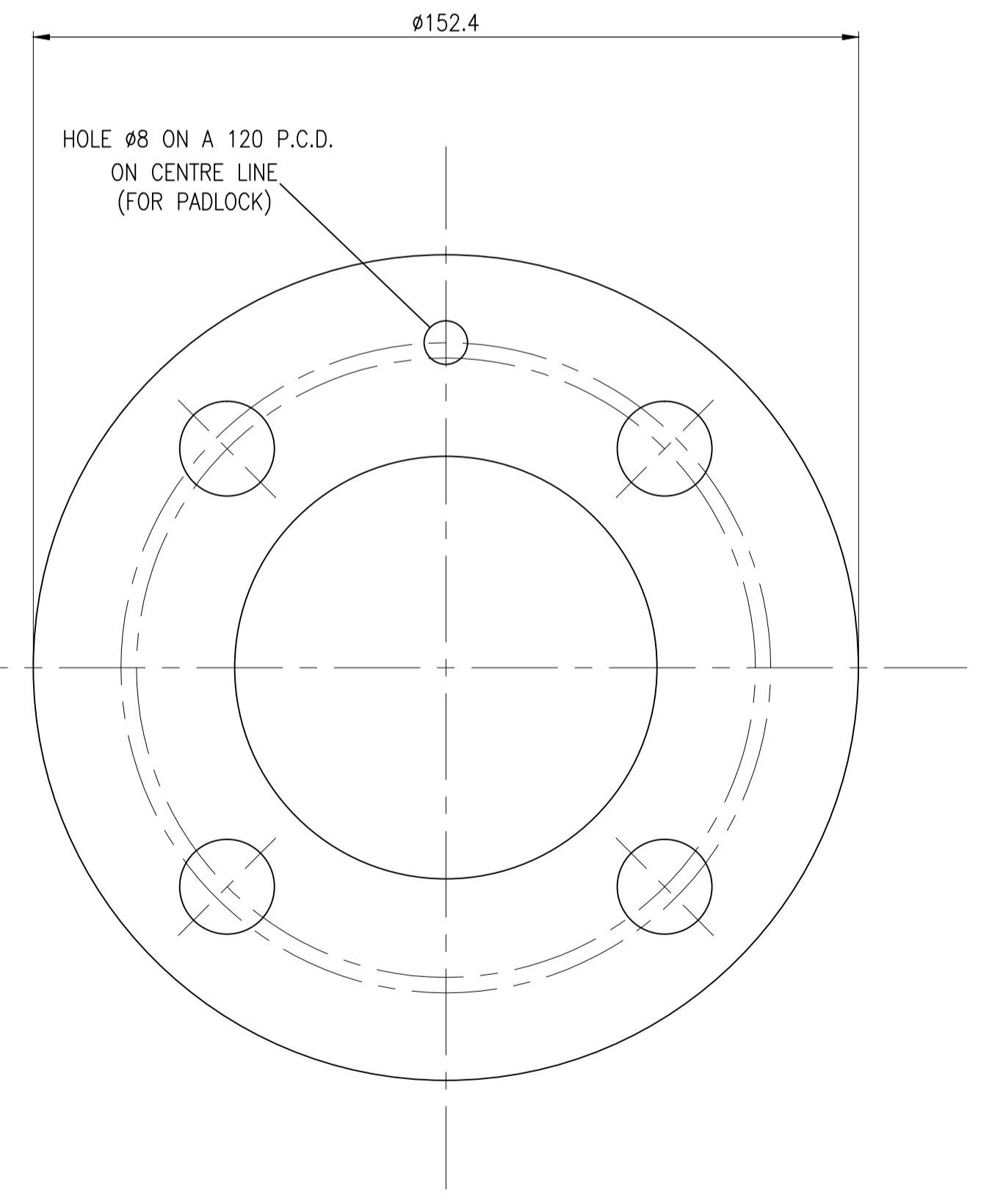
THIRD ANGLE

I.C.G.L. CONFIDENTIAL

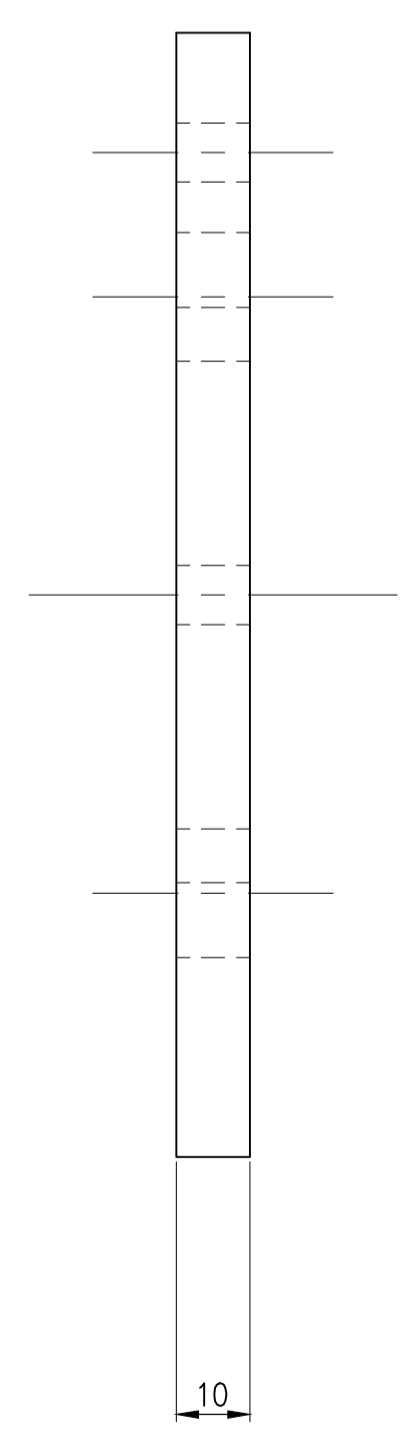
CUSTOMER PIPE / OFF LOADING CONNECTION



NOTE: REFER TO DRAWING NO. MISC 05134
SYSTEM 1.
HOLE Ø8 ON A 120 P.C.D. IS REQUIRED
SYSTEM 2.
HOLE Ø8 ON A 120 P.C.D. IS NOT REQUIRED



2" NB. BS.10 TABLE 'D' BACKING FLANGE
SHOWING ADDITIONAL HOLE FOR ANTI-TAMPER PIN



ISSUE	EC NUMBER	REVISIONS	DRAWN	DATE	CHECK	DATE	PROJ	DATE	MECH	DATE	ELECT	DATE	CIVIL	DATE	ISSUE	EC NUMBER	REVISIONS	DRAWN	DATE	CHECK	DATE	PROJ	DATE	MECH	DATE	ELECT	DATE	CIVIL	DATE	
D		2" NB. BS10 TABLE 'D' WAS 2" NB. BS4504 TABLE 'D'	DRL	13.02.17																										
C		NOTES CHANGED SYSTEM 1 WAS OPTION 1 AND SYSTEM 2 WAS OPTION 2	DRL	07.11.16																										
B		NOTES ADDED	DRL	19.05.16																										
A		FIRST ISSUE	DRL	29.01.16																										

THIS DRAWING IS THE PROPERTY OF THE INDUSTRIAL CHEMICALS GROUP LIMITED AND ITS SUBSIDIARY COMPANIES AND MUST NOT BE USED FOR ANY PURPOSE DETRIMENTAL TO THE INTERESTS OF INDUSTRIAL CHEMICALS GROUP LIMITED OR ITS SUBSIDIARY COMPANIES. ITS CONTENTS ARE NOT TO BE DISCLOSED TO ANY THIRD PARTY EITHER WHOLLY OR IN PART WITHOUT THE CONSENT OF INDUSTRIAL CHEMICALS GROUP LIMITED OR ITS SUBSIDIARY COMPANIES.

SCALE 1:1	INDUSTRIAL CHEMICAL GROUP LTD
DIMS MM	DRAWING NO. MISC 05138
	TITLE 2" NB. BS10 TABLE 'D'. CUSTOMER PADLOCK FLANGE.
	FILE LOCATION: T:\Drawings\
	JOB NO.
	ISSUE D A1