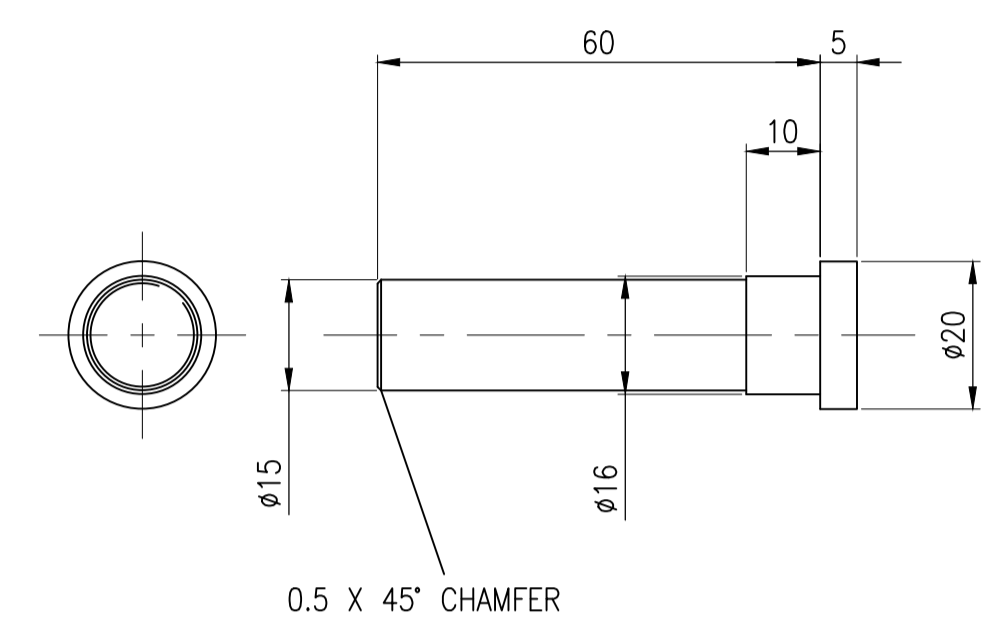
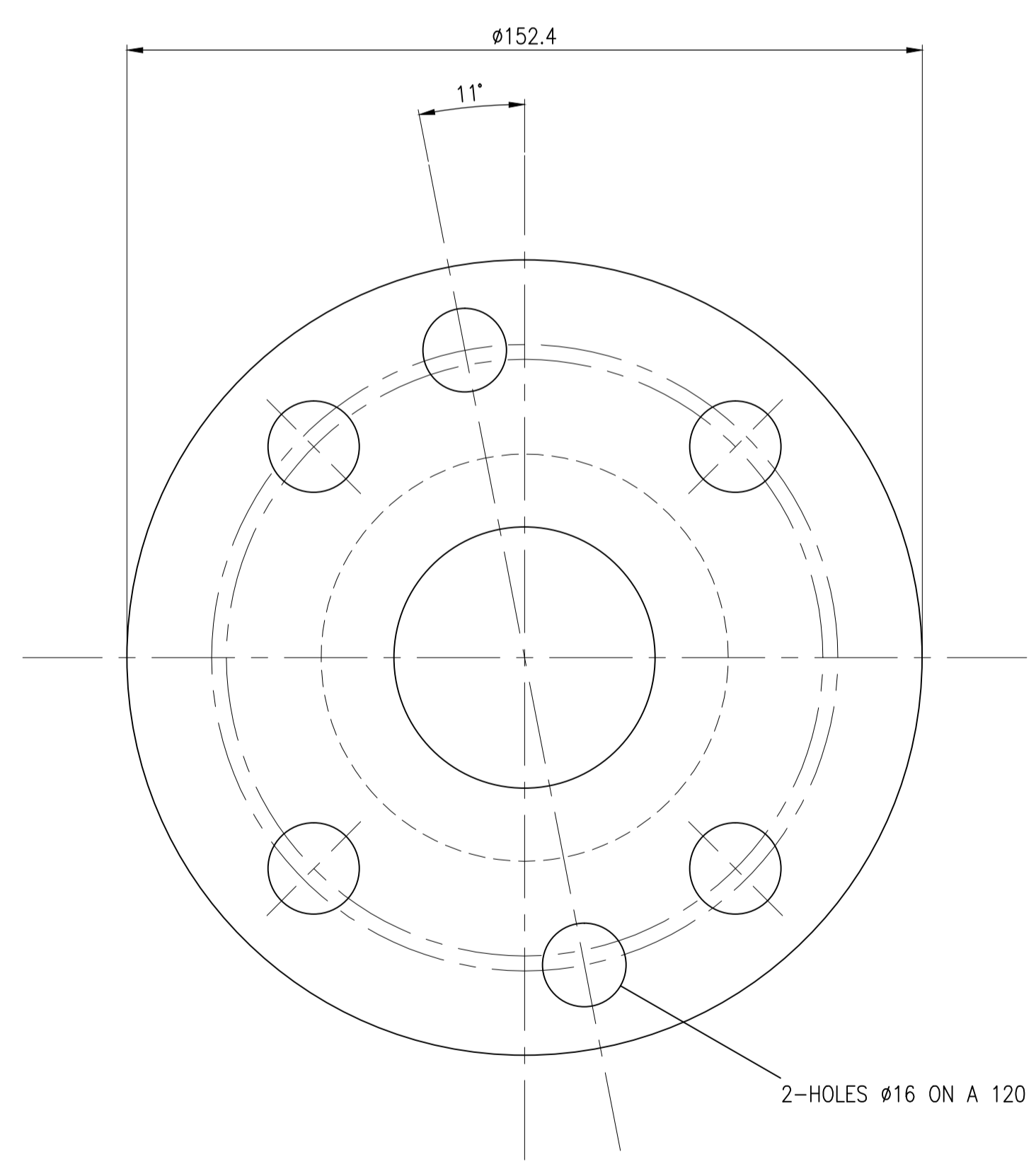
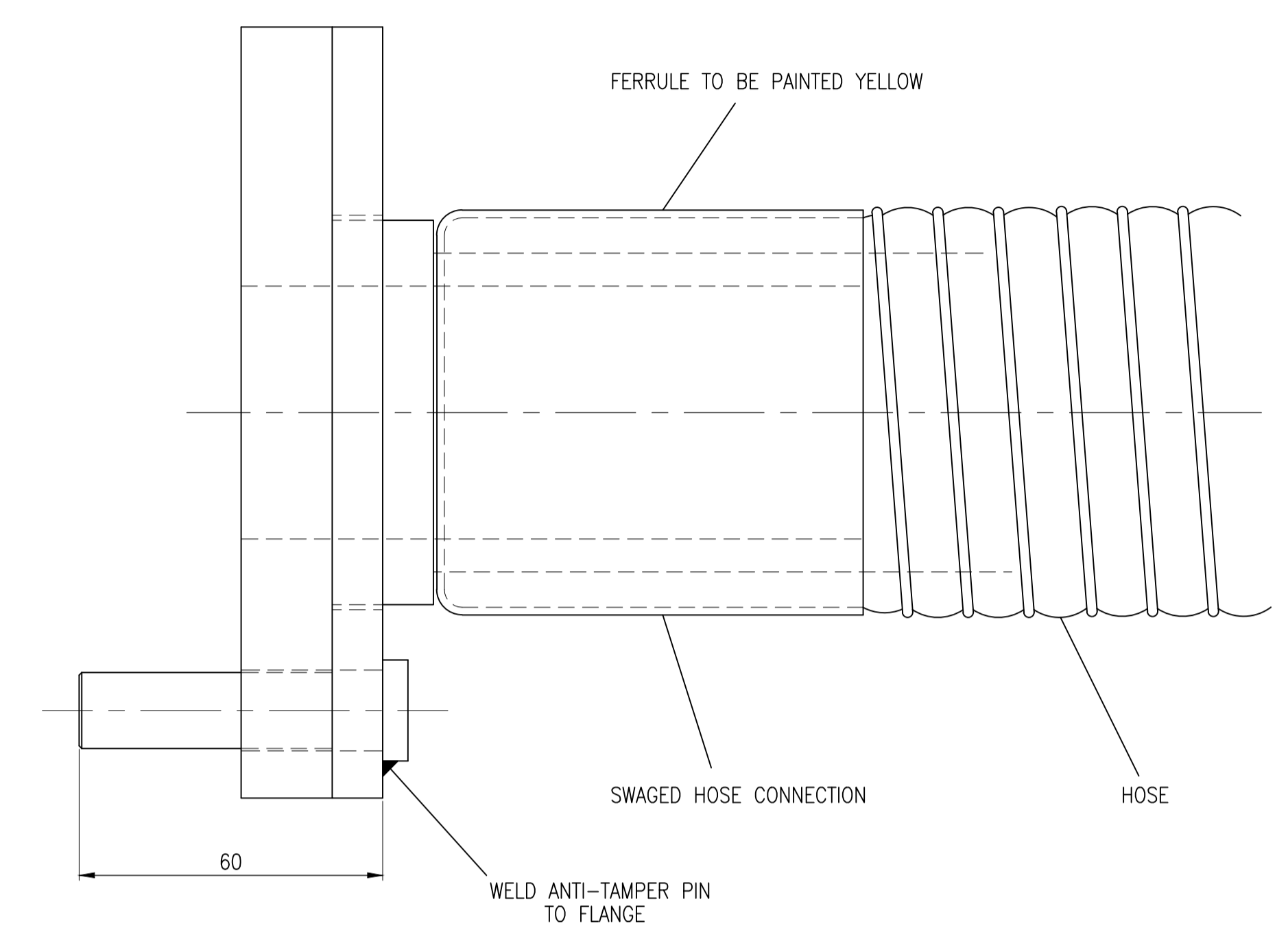
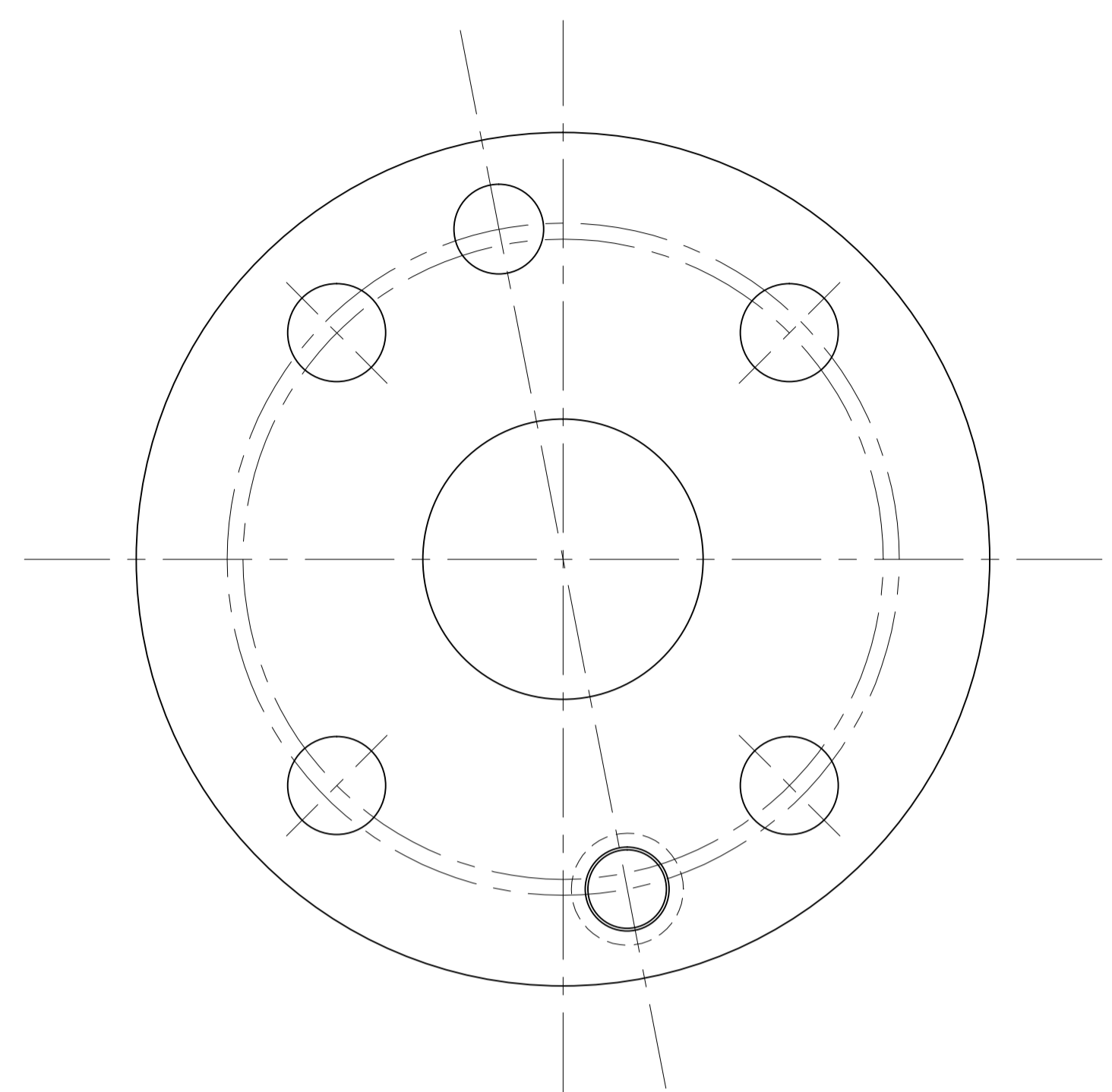


HOSE END CONNECTION



ANTI-TAMPER PIN



2-HOLES $\phi 16$ ON A 120 P.C.D.

2" NB. BS.10 TABLE 'D' FLANGED HOSE END SHOWING ADDITIONAL HOLES FOR ANTI-TAMPER PINS

THIS DRAWING IS THE PROPERTY OF THE INDUSTRIAL CHEMICALS GROUP LIMITED AND ITS SUBSIDIARY COMPANIES AND MUST NOT BE USED FOR ANY PURPOSE DETRIMENTAL TO THE INTERESTS OF INDUSTRIAL CHEMICALS GROUP LIMITED OR ITS SUBSIDIARY COMPANIES. ITS CONTENTS ARE NOT TO BE DISCLOSED TO ANY THIRD PARTY EITHER WHOLLY OR IN PART WITHOUT THE CONSENT OF INDUSTRIAL CHEMICALS GROUP LIMITED OR ITS SUBSIDIARY COMPANIES.															SCALE 1:1	INDUSTRIAL CHEMICAL GROUP LTD DRAWING NO. MISC 05436																			
B	2" NB. BS.10 TABLE 'D' WAS 2" NB. BS.4504 TABLE 'D'														DRL	13.02.17																			
A	FIRST ISSUE														DRL	07.11.16																			
ISSUE	EC NUMBER	REVISIONS	DRAWN	DATE	CHECK	DATE	PROJ	DATE	MECH	DATE	ELECT	DATE	CIVIL	DATE	ISSUE	EC NUMBER	REVISIONS	DRAWN	DATE	CHECK	DATE	PROJ	DATE	MECH	DATE	ELECT	DATE	CIVIL	DATE	SCALE	TITLE	FILE LOCATION: T:\Drawings\	JOB NO.	ISSUE	A1