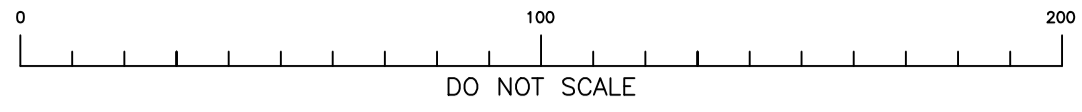
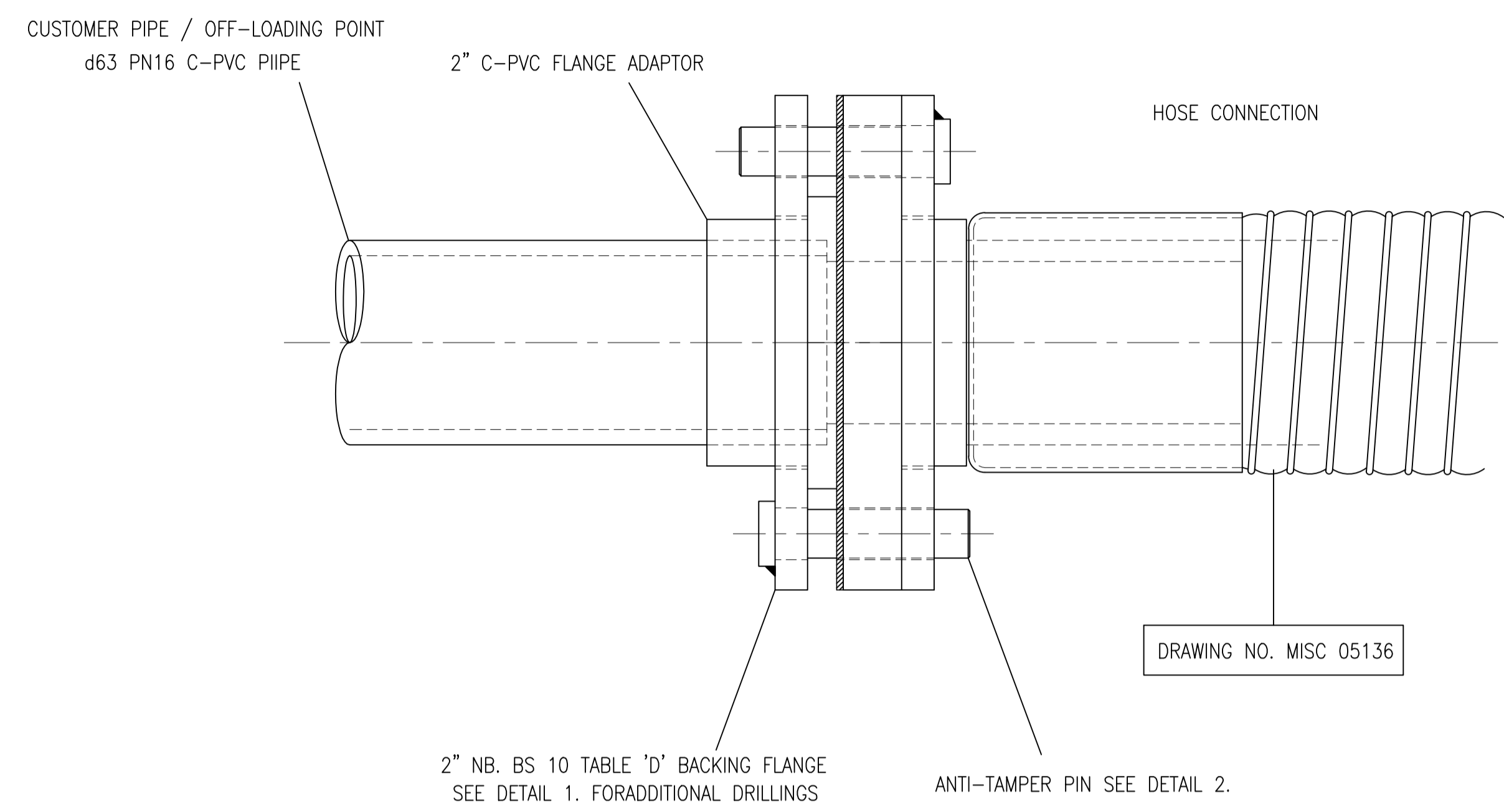


ICL CONFIDENTIAL

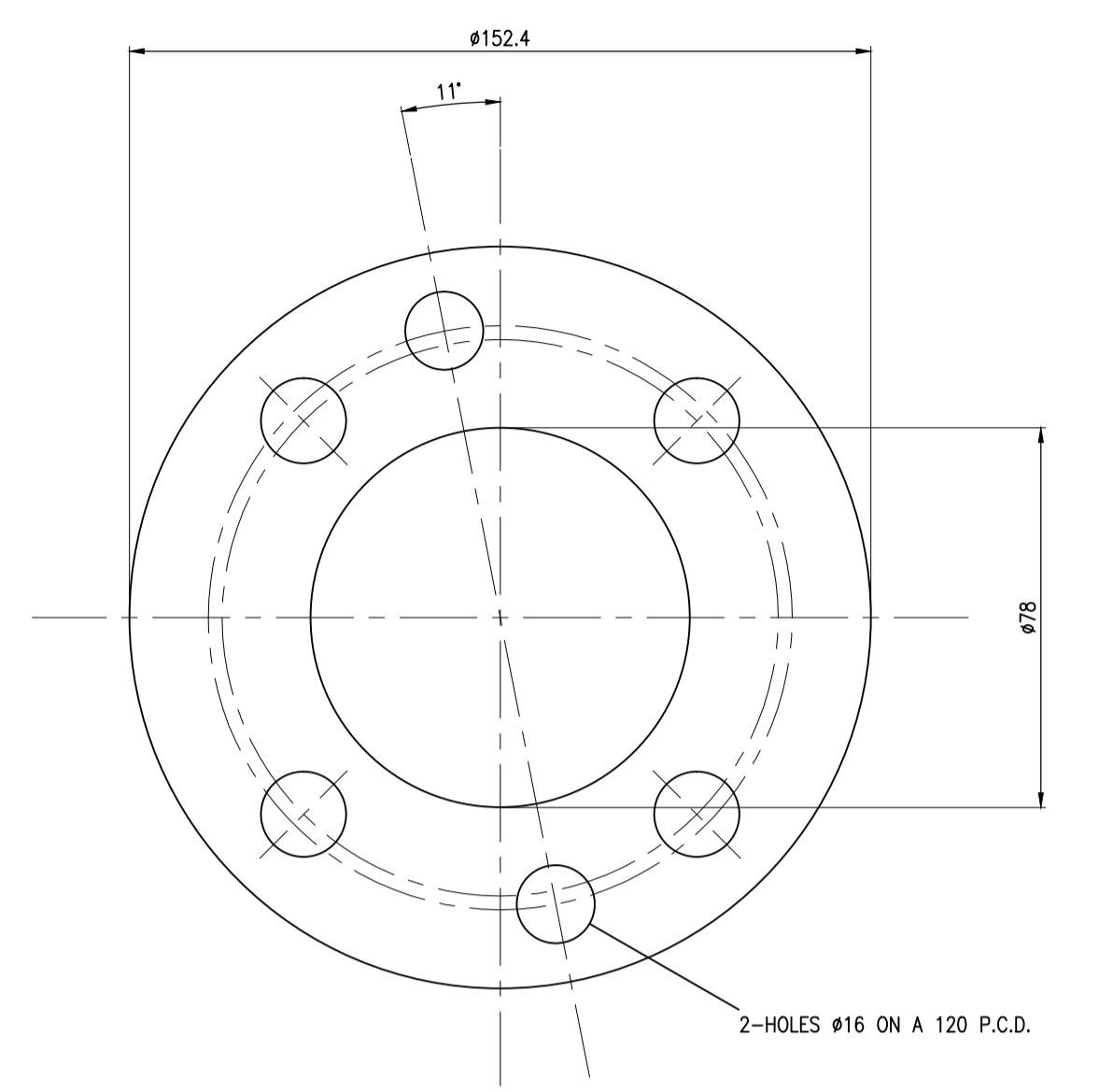


THIRD ANGLE

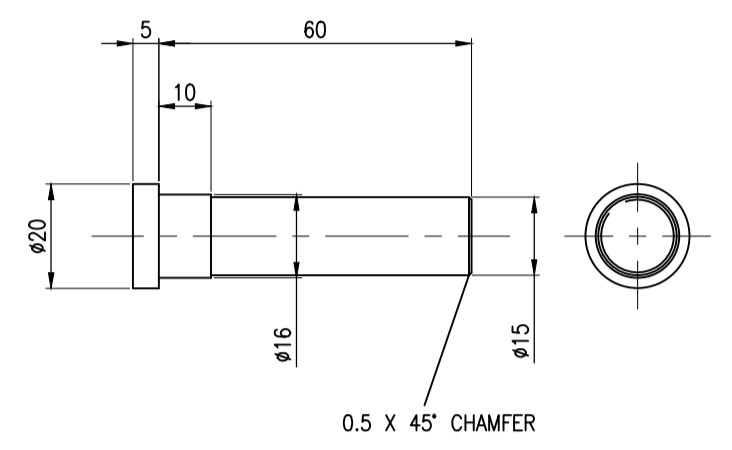
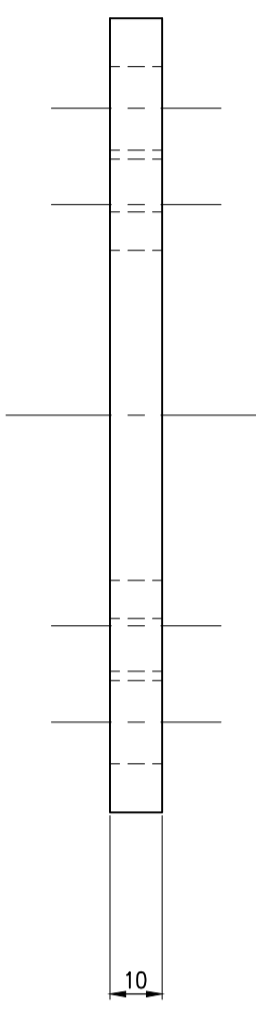
ICL CONFIDENTIAL



DRAWING NO. MISC 05136

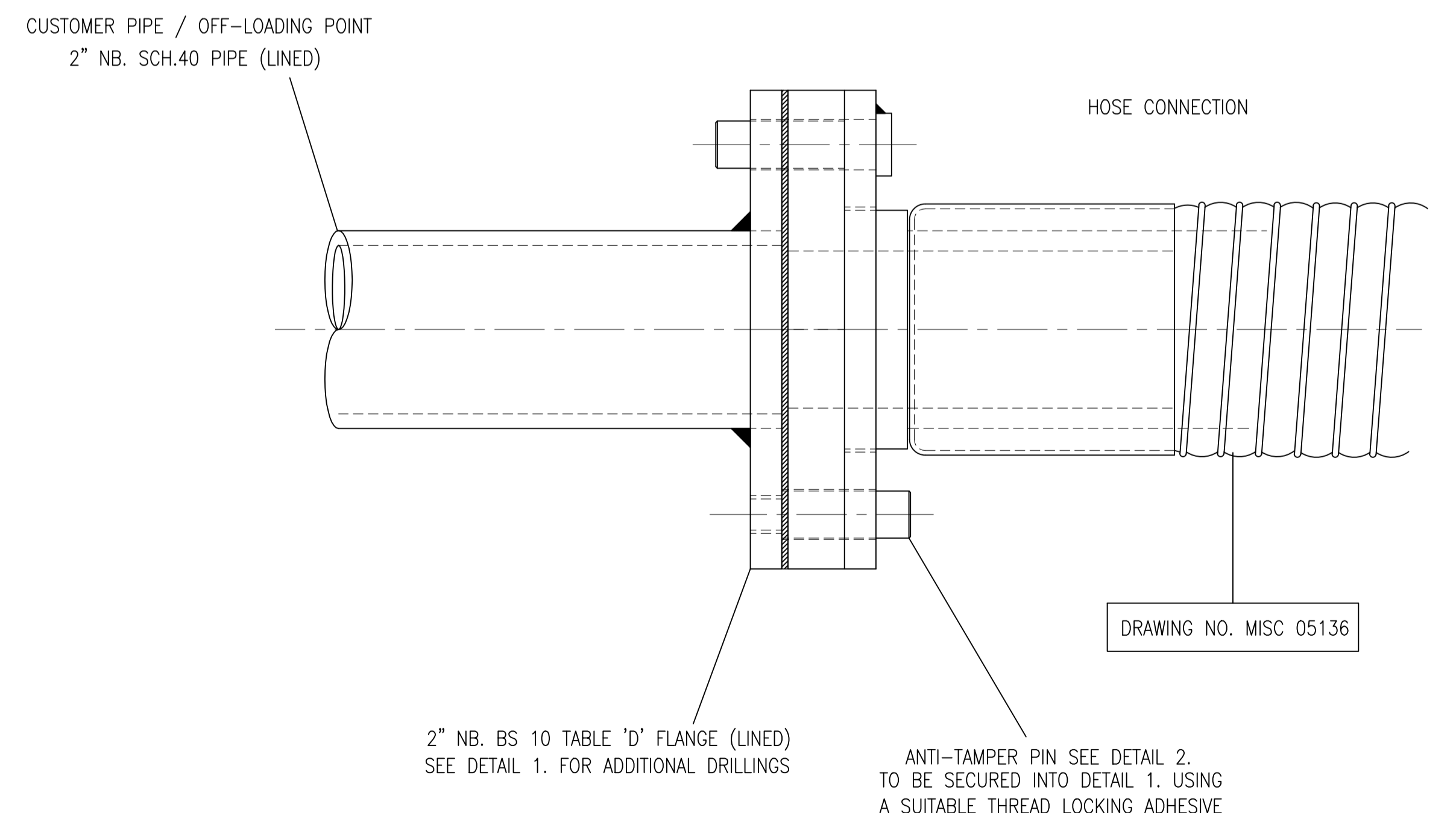


DETAIL 1
2" NB. BS 10 TABLE 'D' CUSTOMER BACKING FLANGE
SHOWING ADDITIONAL HOLES FOR ANTI-TAMPER PINS

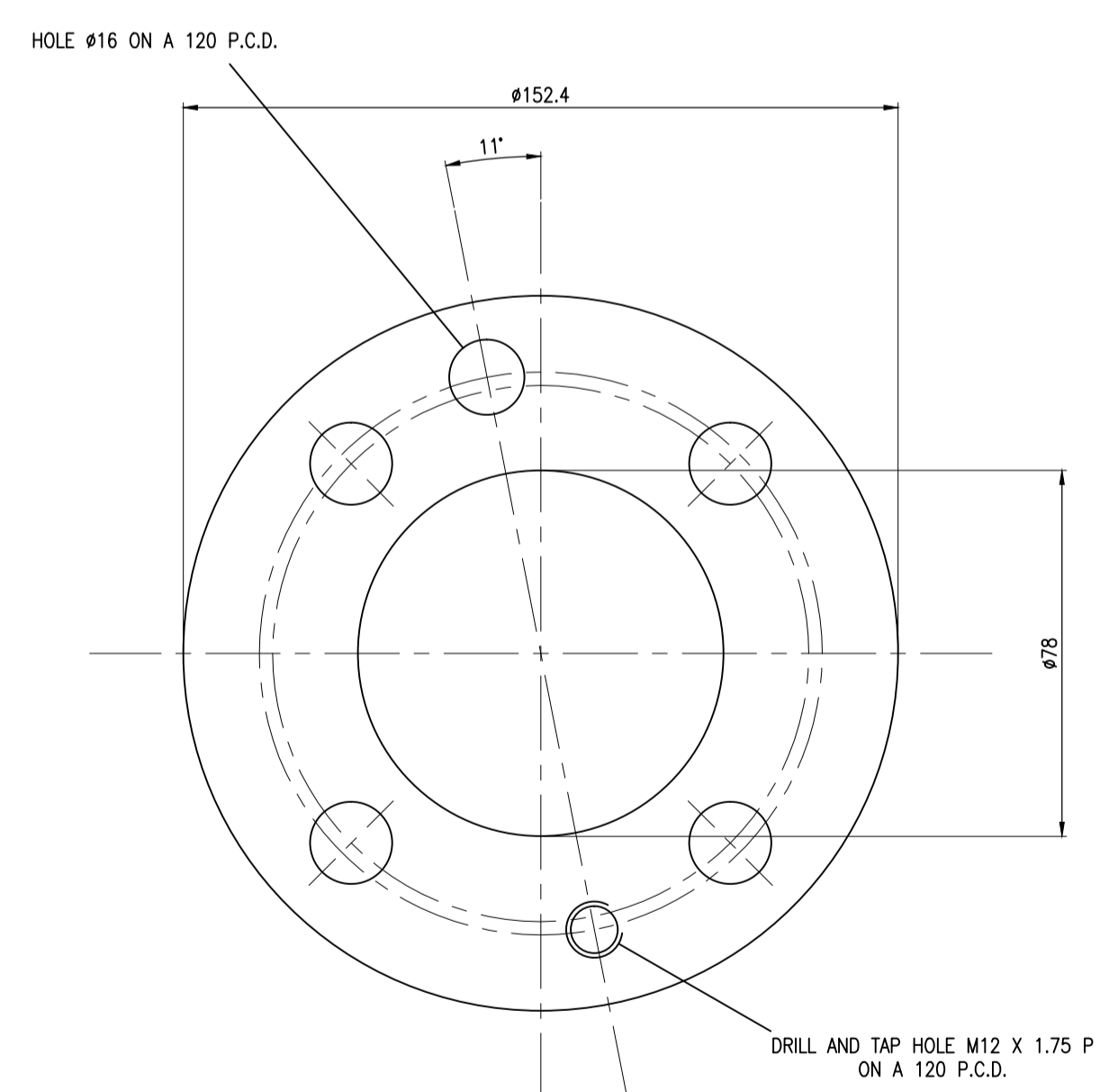


DETAIL 2
ANTI-TAMPER PIN

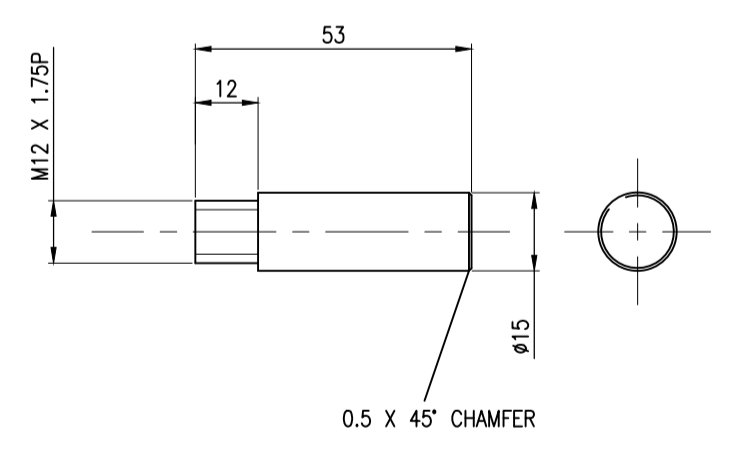
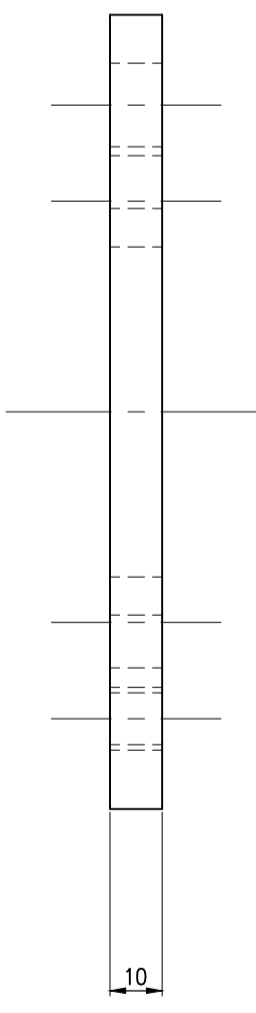
FOR USE WITH C-PVC CUSTOMER PIPE/OFF-LOADING POINT CONNECTION



DRAWING NO. MISC 05136



DETAIL 1
2" NB. BS 10 TABLE 'D' CUSTOMER FLANGE
SHOWING ADDITIONAL HOLES FOR ANTI-TAMPER PINS



DETAIL 2
ANTI-TAMPER PIN

FOR USE WITH STEEL CUSTOMER PIPE/OFF-LOADING POINT CONNECTION

<p>THIS DRAWING IS THE PROPERTY OF THE INDUSTRIAL CHEMICALS GROUP LIMITED AND ITS SUBSIDIARY COMPANIES AND MUST NOT BE USED FOR ANY PURPOSE DETRIMENTAL TO THE INTERESTS OF INDUSTRIAL CHEMICALS GROUP LIMITED OR ITS SUBSIDIARY COMPANIES. ITS CONTENTS ARE NOT TO BE DISCLOSED TO ANY THIRD PARTY EITHER WHOLLY OR IN PART WITHOUT THE CONSENT OF INDUSTRIAL CHEMICALS GROUP LIMITED OR ITS SUBSIDIARY COMPANIES.</p>												<p>SCALE: 1:1</p>	<p>INDUSTRIAL CHEMICALS GROUP LTD</p>
<p>ISSUE EC NUMBER REVISIONS DRAWN DATE CHECK DATE PROJ DATE MECH DATE ELECT DATE CIVL DATE ISSUE EC NUMBER REVISIONS DRAWN DATE CHECK DATE PROJ DATE MECH DATE ELECT DATE CIVL DATE</p>												<p>DIMS FILE LOCATION</p>	<p>TITLE: 2" NB. BS.10 TABLE 'D'. CUSTOMER ANTI TAMPER FLANGE ASSEMBLY.</p>
<p>FIRST ISSUE DR: 09.08.17</p>												<p>MISC 05692</p>	<p>JOB NO. REV: A 1/0</p>